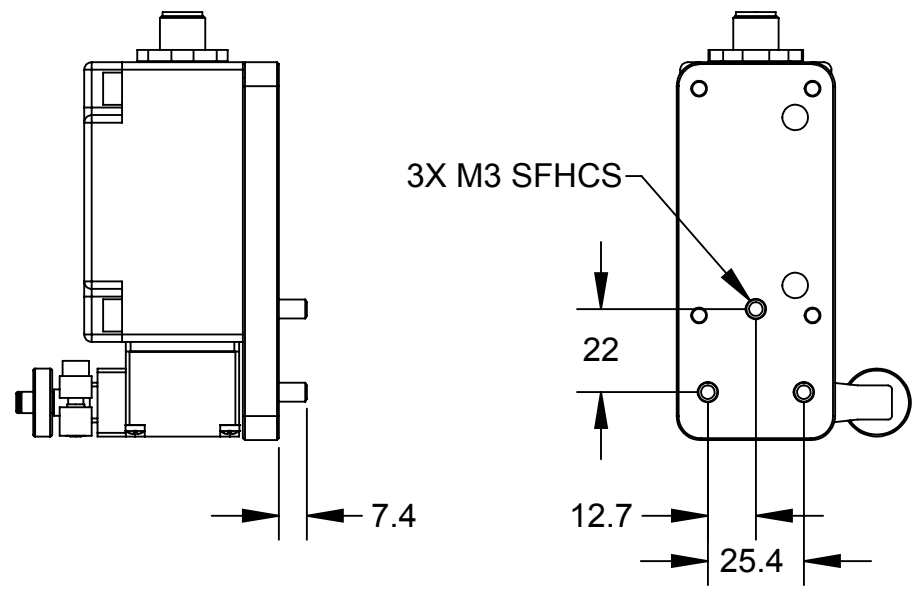
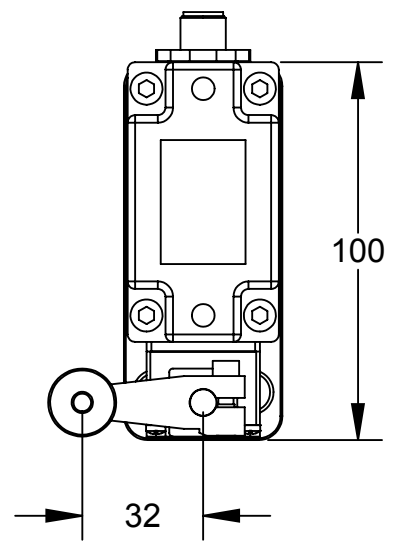
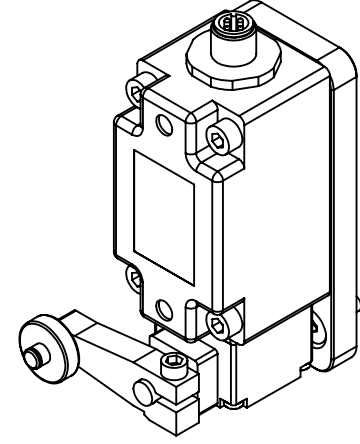
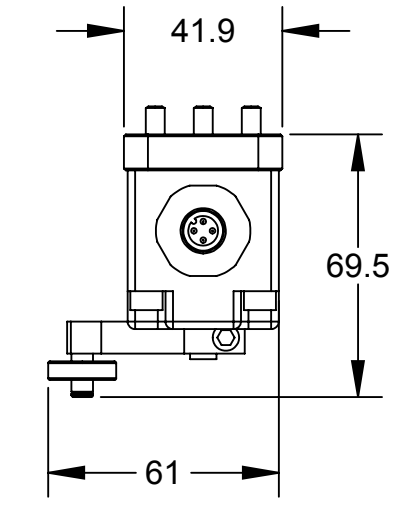
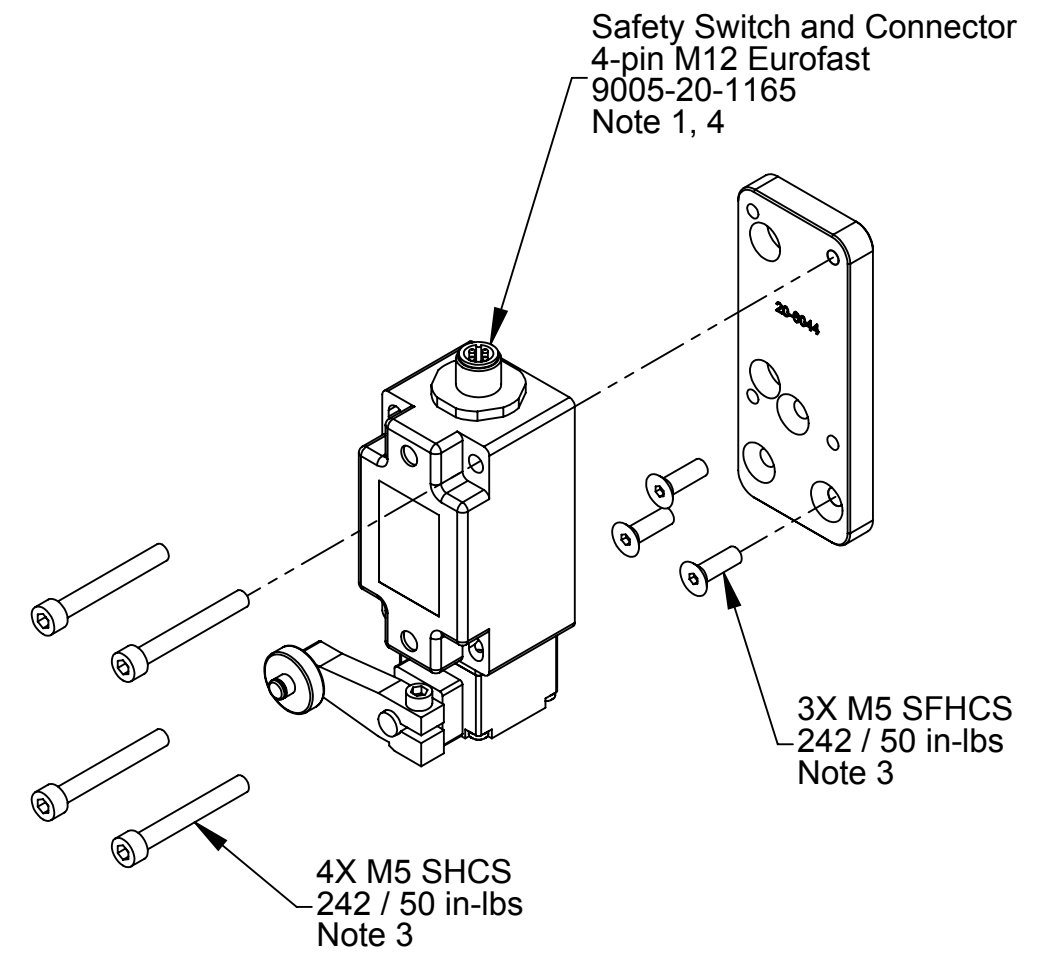


Rev.	Description	Initiator	Date
01	Initial Drawing	JMW	02/21/2014

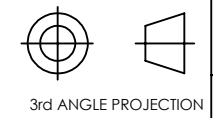


3X M3 SFHCS

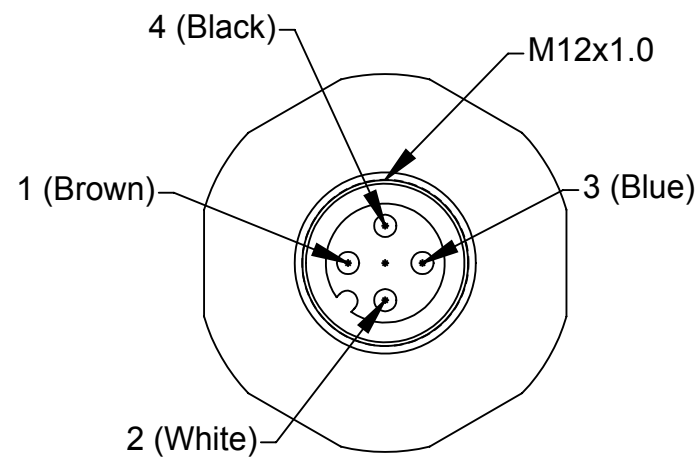


- Notes:
1. Fasteners and switch shipped loose. To be installed by customer.
 2. Customer to install pre-applied fasteners and torque to listed torque value.
 3. Customer to use Loctite or similar thread locker and torque to listed torque value.
 4. Customer to orient switch arm as needed.

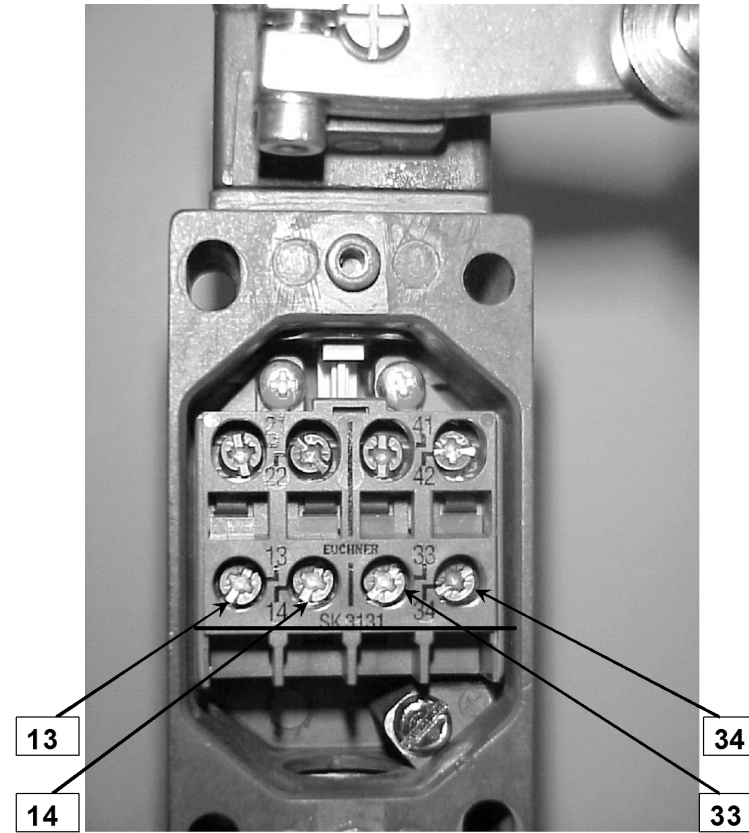
ITEM NO.	QTY.	PART NUMBER	DESCRIPTION
1	1	9120-TSL-SS-8074	TSL TSI Switch Assembly - Vertical Hooks, No Trip Dog
NOTES: UNLESS OTHERWISE SPECIFIED.		<p>1031 Goodworth Drive, Apex, NC 27539, USA Tel: +1.919.772.0115 Email: info@ati-ia.com Fax: +1.919.772.8259 www.ati-ia.com ISO 9001 Registered Company</p> <p>PROPERTY OF ATI INDUSTRIAL AUTOMATION, INC. NOT TO BE REPRODUCED IN ANY MANNER EXCEPT ON ORDER OR WITH PRIOR WRITTEN AUTHORIZATION OF ATI.</p>	
DO NOT SCALE DRAWING. ALL DIMENSIONS ARE IN MILLIMETERS.			
DRAWN BY: J. Winterroth, 2/21/14		TITLE	
CHECKED BY: D. Norton, 2/24/14		TSL TSI Switch Assembly - Vertical Hooks, No Trip Dog	
PROJECT # -		SCALE	REVISION
SHEET 1 OF 2		1:2	01
		SIZE	DRAWING NUMBER
		B	9630-20-TSL-SS-8074



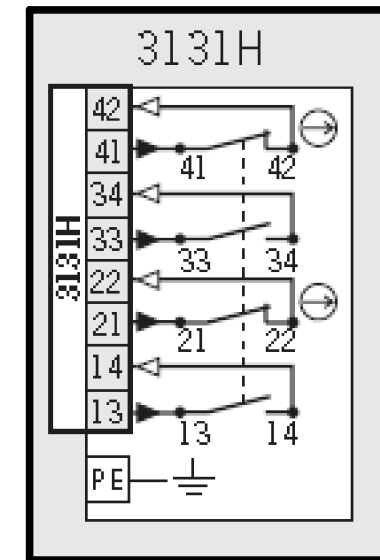
Rev.	Description	Initiator	Date
-	See Sheet1	-	-



Face View
Part #1510-1313006-04
4-Pin Male Eurofast Receptacle



Wiring Diagram (switch not actuated)



Pin #:	Wire Color	Contact Type (Group)	Internal switch #:
Pin 1	Brown	N.O. (Pin 1 & 4)	13
Pin 2	White	N.O. (Pin 2 & 3)	33
Pin 3	Blue	N.O. (Pin 2 & 3)	34
Pin 4	Black	N.O. (Pin 1 & 4)	14

NOTES: UNLESS OTHERWISE SPECIFIED.

DO NOT SCALE DRAWING. ALL DIMENSIONS ARE IN MILLIMETERS.



3rd ANGLE PROJECTION



1031 Goodworth Drive, Apex, NC 27539, USA
Tel: +1.919.772.0115 Email: info@ati-ia.com
Fax: +1.919.772.8259 www.ati-ia.com
ISO 9001 Registered Company

PROPERTY OF ATI INDUSTRIAL AUTOMATION, INC. NOT TO BE REPRODUCED IN ANY MANNER EXCEPT ON ORDER OR WITH PRIOR WRITTEN AUTHORIZATION OF ATI.

DRAWN BY: J. Winterroth, 2/21/14		TITLE	
CHECKED BY: D. Norton, 2/24/14		TSL TSI Switch Assembly - Vertical Hooks, No Trip Dog	
PROJECT # -	SHEET 2 OF 2	SCALE 1:2	SIZE B
DRAWING NUMBER 9630-20-TSL-SS-8074		REVISION 01	